

AR-1

Assault Rotor Weaponized Drone



AR-1 designed for mounting light weapons such as sub machine guns and assault rifles. Highly shock-proof, high strength, high endurance, etc.
In the frontline of warzone or special police attack, when the enemy and friendly are in a stalemate, they can carry out multi-angle attacks and disturbances in the air to gain the advantage of attacking or moving forward.



18 Mins

10 Km+

Unique
Transmission
Band

Made in
Taiwan

Product Features

- Foldable design for quick deployment
- Long range flight 10-15 km
- Carbon fiber structure
- Rapid deployment without using any tools to fold or unfold the drone
- Dedicated for submachine gun / assault rifle platform (9 mm/5.56 mm)



Specification parameters

Performance Parameters

Total weight	17.1 Kg
Scale	1280 mm
Flight time	18 minutes
Flight range	10-15 km
Overall thrust	50 kg
Gun weight	3.5 kg
Load voltage	22 V

- ▶ AR-1 obtained the invention patent of remote firing controller

Appearance and specifications are subject to change without notice for product improvement.

Frame & Propulsion Systems

Aircraft frame	Folding design fully carbon fiber
Propellers	28 Inch

- ▶ Reducing casualties on friendly forces.
- ▶ Intimidating hostile infantries by firing in the air as suppress fire in order to having friendly infantries to move forward.
- ▶ Special operations
- ▶ Anti-vehicle (subject to be discussed for mounting various weapon systems)

Camera 36X Optical Zoom Starlight Camera

Lux	0.001 Lux (Color) 0.0002 Lux (Black / White) Starlight-Grade illumination
Weight	945 g
Size	105 x 188 x 149.5 mm
Video Output	1920 x 1080 HDMI / Ethernet
Input Voltage	3S-4S
Effective pixels	2.17 Megapixels
Zoom Range	36X Optical Zoom, 32X Digital Zoom
Range of Control Angle	Tilt : -45° ~ +90° Pan : ±290° Roll : ±70°
Control Precision	Pitch / Roll / Yaw ±0.01°
Day-Night Mode	Auto
Storage	SD Card (Supports MAX 128G)
Working Temperature Range	-10°C ~ 60°C

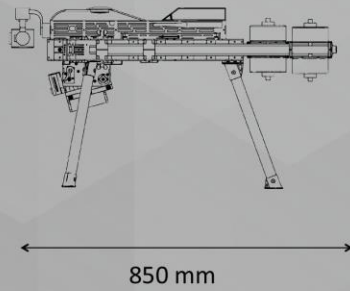
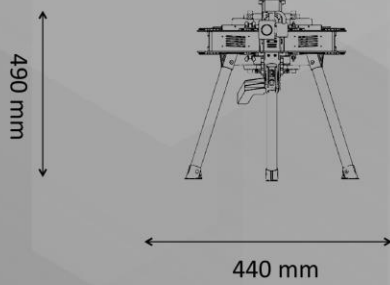
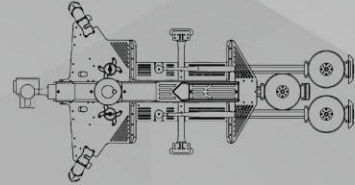
Ground Control Station

Remote Control System	
Telemetry System	Highly Integrated 3-in-1 Hand-held Ground Control System
Wireless Video Transmission	
Weight	< 2100g
Communication Frequency	2.4 GHz and Confidential Frequencies can be made
Range	10 ~ 30 Km (Clear of Interference, Non-Obstacle Condition)
Working Duration	4 Hrs
Screen Resolution	1280×800
Software Support OS	Linux, iOS, MacOS, Win10
Display screen	10" Industrial Touch Screen
CPU Processor	Intel Chipset
Memory	> 4GB
Storage	> 64 GB
Internet Support	Wifi + BT or 4G GSM (Options)
I/O	USB 3.0, Ethernet Port, HDMI, RS232, RS485, RS422, TTL
Operating temperature	-10~+60°C



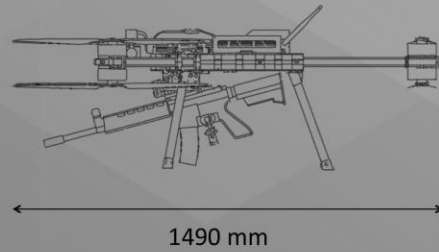
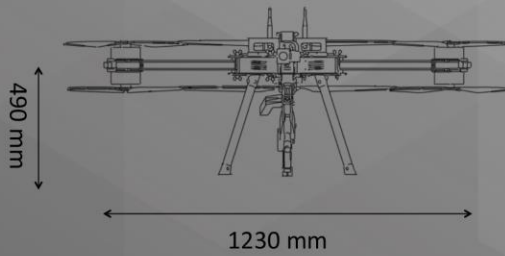
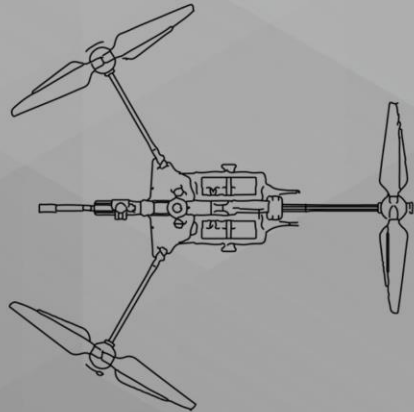
Folded Dimensions

(without propellers)



Unfolded Dimensions





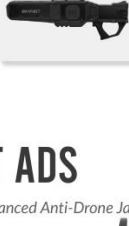



(without propellers)



DronesVision

Drone and Anti-Drone Solutions

COMPANY HISTORY

2010	2014	2016	2018	2019	2020	2021	2022
DronesVision Inc. was established in 2010. First ever in Asia online web store specializing on drone parts.	R/D SKYNET Anti-drone System	Launched SKYNET ADS & Long Endurance Scout Drone TR-2	The development of the weaponized drone AR-1 was started. The utility model patent of remote firing controller was obtained and the live-fire shooting test was successfully completed.	AR-1 obtained the invention patent of remote firing controller and can mount anti-drone system to suppress and chase intruding drones. SKYNET Drone-to-Drone (SKYNET D2D) Launched	R/D Artificial Intelligence Recognition System.	<ul style="list-style-type: none"> Launched anti-drone system deployed with AI recognizing system Developed bombing drone REVOLVER 860 	<ul style="list-style-type: none"> Launched transporting drone DR-40 Launched Revolver 860 Drone
							

SKYNET ADS

Hand-held A.I. Enhanced Anti-Drone Jammer



-  A.I. Enhanced
-  4 Kg
-  2 Km
-  Made in Taiwan

SPECIFICATION

Product weight	4 kg
Operation time	90 mins (all channels on, depends on battery capacity)
Battery Safety Certificates	MSDS, UN 38.3, BSMII
Frequency band	Channel 1: 1.56 GHz - 1.63 GHz Channel 2: 2.4 GHz - 2.53 GHz Channel 3: 5.7 GHz - 5.91 GHz
Effective Range	Up to 2 km (clear of interference, unblocked condition)
Working temperature	-10°C ~ +60°C
Optical Gunsight	Quick aim optical red / green crosshair with various styles
Optional upgrades	E/O A.I. Detection 10x Optical Sight Thermal imaging camera

FEATURES

- World's first ever A.I. Enhanced Drone Jammer
- EU CE certification
- Operator Safety Certificate issued by NATO Member States (Report No. 6/ZAZE/K/2017)
- Dust-proof and waterproof grade IP43 certification (Report No. SCO18655 of Metal Industry Research and Development Center)
- Battery Certifications : MSDS, UN38.3



 Please click above picture for external video link or visit

SKYNET ADS

DESIGN CONCEPT

DronesVision Inc. proudly presents SKYNET ADS, Anti-Drone System, from scratch-built to production in Taiwan. By its futuristic firearm shape and ergonomic design, it is easy to operate for an infantry or security guard. Within the effective range, SKYNET ADS can block hostile drone's media and remote control transmission/GPS signal, force them to return, or land on the ground immediately. With SKYNET ADS's deployment, your aero zone will be entirely secured.



Artificial Intelligence Enhanced Module

When A.I. module detects drone in-sight, it will generate alarm sound to remind user that target is aimed and ready to engage.

The system will automatically hibernate / turn off itself within 3 minutes after boot up for maintaining the maximum work duration by saving energy consumption.

APPLICATIONS



VIP Protection

Prevent VIP from terrorist who attacks by bomb equipped drone, or stop drone scouting VIP's privacy.



Oil Refinery Safety

Keep oil refinery and nuclear power plant secure and protected



Flight Safety

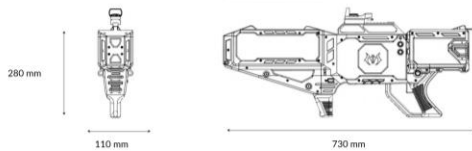
Serious aviation accidents and incidents like drone strike on aircraft, unexpected airport shutdown due to aero zone intrusion, could be avoided and keep passengers safe.

SKYNET ULTRA



Dimensions

Without Optical Goggles



SPECIFICATION

Product weight
Operation time
Battery Safety Certificates
Frequency band

5.5 kg
90 mins (all channels on)
MSDS, UN 38.3, BSMI
Channel 1 : 1165-1381MHz / 37±1dBm / 5W / 7dB
Channel 2 : 1550-1620MHz / 37±1dBm / 5W / 7dB
Channel 3 : 400-460MHz / 41±1dBm / 12.5W / 3dB
Channel 4 : 860-930MHz / 39±1dBm / 8W / 4.5dB
Channel 5 : 2400-2500MHz / 40±1dBm / 10W / 9dB
Channel 6 : 5725-5875MHz / 39±1dBm / 8W / 11dB

Effective Range
Working temperature
Optical Goggles

Up to 2 km (clear of interference, unblocked condition)
-10°C ~ +60°C
Quick aim optical red / green crosshair with various styles

TR-2 TACTICAL ROTOR

Long Endurance Scout Drone

SPECIFICATION

Gross weight	7.7 Kg
Scale	1120mm
Flight time	70 Minutes
Flight range	10 Km
Flight performance	Auto-pilot Waypoint support autonomous flight Multiple fail-safe on low voltage protection and GPS signal loss
Flight Controller	Maximum wing resistance : <10 m/s
Built-in functions	Maximum tilt angle : 15° Ascent / descent : ascent: 2 m/s; descent: 1 m/s

FEATURES

- ▶ Long endurance flight time over 70 minutes. The longest time ever with lithium battery technology.
- ▶ Equipped a High Definition 10x Zoom Camera (Can be upgraded to higher focal length or thermal camera)
- ▶ 3 Axis computer stabilized zoom gimbal camera for stable motion picture support.
- ▶ Real-time low latency high resolution transmission.
- ▶ Quick deployment without any hand tool required, simple and easy on operation and maintenance.
- ▶ A military scout drone which has better duration under this extremely competitive cost in the market.



APPLICATIONS



Search & Rescue

There is no need to wait for a helicopter but start searching and rescuing ASAP.



Forestry Protection

Quickly investigate wildfire situation and cooperate with disaster relief mission.



Fire Investigation

With thermal camera observed over the sky, it could provide more fire disaster detail for better rescue decisions.



Public Safety

Through up to 60 minutes of flight time, it can be used with police in air surveillance, and Attack

GIMBAL CAMERA

- Optional 1 - 10X Optical Zoom Camera
- Optional 2 - 36x Optical Zoom Starlight Camera
- Optional 3 - FLIR Thermal Camera

Array Format (NTSC)	336 × 256 or 640 × 512
Spectral range	7.5 - 13.5 μm
Thermal Frame Rate	+9 Hz (Slow)/30 Hz (Fast)
Thermal Imager	Uncooled VOx Microbolometer
Thermal Sensitivity	<50 mK
Operating Temperature	-20°C to +50°C
Operational Altitude	+38,000 feet
Storage Temperature	-20°C to +60°C
Global Positioning System	Yes (GPS, GLONASS)
Multiple Color Palettes	Yes - Adjustable in App and via PWM
Visible Camera FOV	56° × 45°
Imaging Modes	IR-only, Vis-only Picture-in-Picture (IR in Vis)
MSX Image Enhancement	Yes
Other Sensors	Accelerometer, Gyroscope, Magnetometer, Barometer
Visible Sensor Resolution	4000 × 3000
Measurement Accuracy	+/- 5 C or 5% of readings in the -25°C to +135°C +/- 20 C or 20% of readings in the -40°C to +550°C



High image quality	1/3" 4 megapixel CMOS sensor
Output resolution	1920×1080@60fps
Recording resolution	1920×1080@30fps
Record format	H.264
Optical zoom	10x zoom focus length f = 4.9-49mm, diaphragm diameter φ12.0
Working temperature range	-10°C - +50°C
Compact size	63mm×47mm×40mm
Control range	-90°to +90°(Tilt) 150°to +150°(Pan) 45°to +45°(Roll)



Weight	945g
Size	105x188x149.5mm
Video output	1920x1080, HDMI/Ethernet
Input Voltage	3S-4S
Effective pixels	2.17MP
Zoom range	1-36x optical
Range of control angle	Pitch: -45°~+90°; Roll: ±70° Yaw: ±290°
Control precision	Pitch/roll/yaw: ±0.01°
Day-night mode	Auto
Storage	Micro SD Card(supports max.128G)
Working temperature range	-10°C-60°C



TR-2

TR-2 VIDEO

Long Endurance Test

Please click the icon for external video link



TR-2 Stable Visual Quality

Please click the icon for external video link

TR-2

AR-1 ASSAULT ROTOR

Weaponized Drone



APPLICATIONS



Riot Control

During a riot control, using speakers or launching tear gas over crowd will be possible solutions to control the situation.



Air Support for Ground Troops

Intimidating hostile infantry in the air at once



Maritime Defense

Prevent fishing vessel or Cruise ship from pirate attack

FEATURES

- Dual Vision, one for real time remote gun vision one for navigation
- Dedicated for submachine gun / assault rifle platform (9 mm/5.56 mm)
- High stability, high-strength, high-sustainability
- Redundant Battery Hot Swappable design which enables AR-1 continuously linked to the satellite during charge cartridges.



SPECIFICATION

Gross weight	17.1 Kg
Scale	1280mm
Flight time	17 Minutes
Flight range	10 Km

Overall thrust	50 kg
Gun weight	3.5 kg

Load voltage	22 V
Batteries	Li-Po 17200mAh x 2

AR-1

DESIGN CONCEPT



- ▶ Reducing casualties on friendly forces.
- ▶ Intimidating hostile infantries by firing in the air as suppress fire in order to having friendly infantries to move forward.
- ▶ Special operations
- ▶ Anti-vehicle (subject to be discussed for mounting various weapon systems)



Certification

- ▶ AR-1 obtained the invention patent of remote firing controller

Live firing with M4A1 5.56 x 45mm



Please click the icon for external video link

SKYNET D2D

World's First Drone-to-Drone Jamming Solution



Counter GPS / Glonass / Beidou / Galileo



Counter 2.4 / 5.8 GHz Transmission signal



E/W Jamming doesn't affect D2D drone itself



Made in Taiwan

FEATURES

- ▶ SKYNET D2D (Drone-to-Drone) is the ground breaking concept of drone defense technology.
- ▶ SKYNET D2D is a proactive solution to guard your aerospace free of intruder drones.
- ▶ The D2D technology allows you to force a target to landing / return-to-home beyond visual range.
- ▶ SKYNET D2D combines with SKYNET ADS (human operator safety certified).

SPECIFICATION

Gross weight	22.5 Kg
Flight time	20 Minutes
Flight range	16 Km
Frequency Band	Channel 1 : 1.54 GHz - 1.43 GHz Channel 2 : 2.40 GHz - 2.53 GHz Channel 3 : 5.70 GHz - 5.91 GHz
Jamming Frequency Band	500 M+ (clear of interference, unblocked condition)

REVOLVER 860

25-40 Mins



20 Km



8 set of 60mm mortars



can be modified to 3 sets of 81 mm mortars or 1 set of 120 mm mortar



FEATURES

The REVOLVER 860 is a military combat rotor drone designed to attack hostile ground forces by dropping mortars. Its optional weapon bay design provides up to eight sets of 60 mm mortar, other caliber can be discussed for customize-on-demand build.

The REVOLVER 860 is ideal for special operation due to its heavy payload ability. It is fully customizable to fulfill different kinds of combat requirements.



Destroy armored vehicles

Revolver 860 enable warfighters to easily fly, track and engage beyond-line-of-sight targets including light armored vehicles across land and maritime.



Asymmetric warfare

Executing bombing and electronic warfare missions by flexible drones



Please click above picture for external video link or visit



Please click above picture for external video link or visit

Total weight	42 kg (with 8 set of 60mm mortars)
Weight Distribution	
Drone weight	13.5 Kg
Battery	5.5 Kg x2
Revolver-system	7 Kg
8 sets of 60mm mortars	10.5 Kg
Scale	1355 mm
Unfolded Dimensions	1060mm(L) x 1060mm(W) x 530mm(H)
Folded Dimensions	1420mm(L) x 385mm(W) x 530mm(H)
Aircraft frame	Folding design Multiple Composite Aviation Grade Material
Propellers	30 Inch Foldable Carbon Fiber
Total Thrust Force	140 kg
A.U.W.	70 kg
Flight time	25 - 40 mins (with 8 set of 60mm)
Flight range	20 km
Cruise Speed	20 M/s (72 Km / h)
Wind Resistance	Beaufort Scale 6
Load voltage	48 V

Unfolded Dimensions (without propellers)

DR-40 CARGO DRONE

- 12~45 mins
- max. movement distance 30 km
- max. payload 40 KG
- can be modified to air-drop type

FEATURES

DR-40 is developed based on the DR-860 Revolver. It can quickly transport important resources through the battlefield, especially the traffic between hills and broken bridges. Most importantly, it can provide immediate support when the critical combat allys are surrounded by the enemy.

Unfolded Dimensions (without propellers)

LIST OF REFERENCE IN SERVICE (Authorized to be Revealed)



Taiwan Communication Development Office



Taiwan Air Force General Head Quarter



Taiwan Army General Headquarter



Taiwan Military Police



Taiwan Military Security Brigade



Taiwan Taipei City Police Department - Criminal Investigation Division



The Second Special Police Corps, NPA, MOI



Kingdom of Saudi Arabia



Philippines



Thailand



Turkey



Myanmar



Poland



India



Ukraine

More than 20 offshore International Deployments, confidential due to NDA signed

TR-2

LONG ENDURANCE SCOUT DRONE

DronesVision



60 Mins

10 Km+

Unique
Transmission
Band

Made in
Taiwan

Product Features

- Foldable design for quick deployment
- Long endurance flight time over 60 minutes with special design power system and source
- Long range flight 10~15 km
- Real-time and high-resolution image transmission
- Carbon fiber structure
- Rapid deployment without using any tools to fold or unfold the drone



Specification parameters

Performance Parameters

Total weight	7.5 Kg
Scale	1120 mm
Flight time	60 minutes+
Flight range	10~ 15 km

Packing

Net Weight	10.8 Kg
Gross Weight	25.2 Kg
Dimension	92 x 48 x39 cm

Flight Controllers

Built-in functions	Built-in PMU Intelligent flight modes Low voltage protection Motor overload detection External SBUS receiver
Flight performance	Maximum wing resistance: <15.2 m/s Maximum yaw angular velocity: 150 deg/s Ascent/descent: ascent: 3m/s; descent: 1 m/s

Appearance and specifications are subject to change without notice for product improvement.

Frame & Propulsion System

Aircraft frame	Folding design fully carbon fiber
Propellers	28 Inch

Gimbal Camera

Optional 1 - FLIR Thermal Camera

Array Format (NTSC)	336 × 256 or 640 × 512
Spectral range	7.5 – 13.5 μm
Thermal Frame Rate	<9 Hz (Slow)/30 Hz (Fast)
Thermal Imager	Uncooled VOx Microbolometer
Thermal Sensitivity	<50 mK
Operating Temperature Range	-20°C to +50°C
Operational Altitude	+38,000 feet
Storage Temperature Range	-20°C to +60°C
Global Positioning System [GPS]	Yes (GPS, GLONASS)
.Multiple Color Palettes	Yes – Adjustable in App and via PWM
.Visible Camera FOV	56° × 45°
.Imaging Modes	IR-only, Vis-only Picture-in-Picture (IR in Vis)
.MSX Image Enhancement	Yes
.Other Sensors	Accelerometer, Gyroscope, Magnetometer, Barometer
.Visible Sensor Resolution	4000 × 3000
.Measurement Accuracy	+/- 5 C or 5% of readings in the -25°C to +135°C range +/- 20 C or 20% of readings in the -40°C to +550°C range



Optional 2 - 36x Optical Zoom Starlight Camera

Comes with powerful night vision capability. 0.001Lux(color), 0.0002Lux(black/white) starlight-grade illumination makes it a reality that even when the surrounding light is barely visible to the naked eye, the object can be observed clearly in the darkness.

Adopts advanced FOC motor control technology that will enables a 0.01 degree incredible precise control. The 3-axis gimbal offers 2 smart speed modes: FAST speed and LOW speed. Fast speed mode is used for small zooming range, which makes the gimbal control sensitive and quick. LOW speed mode is used for large zoom range, will enable you to target the object more accurately.

Weight	945g
Size	105x188x149.5mm
Video output	1920x1080, HDMI/Ethernet
Input Voltage	3S~4S
Effective pixels	2.17MP
Zoom range	1-36x optical, 1-32x digital
Range of control angle	Pitch:-45°~+90°; Roll:±70° Yaw:±290°
Control precision	Pitch/ roll/yaw: ±0.01°
Day-night mode	Auto
Storage	SD Card(supports max.128G)
Working temperature range	-10°C~60°C



Appearance and specifications are subject to change without notice for product improvement.

Optional 3 - 10X Optical Zoom Camera

High image quality	1/3" 4megapixel CMOS sensor
Output resolution	1920*1080@60fps
Recording resolution	1920x1080@30fps
Record format	H.264
Optical zoom	10x zoom focus length:f =4.9~49mm, diaphragm diameter φ12.0
Working temperature range	-10°C ~ +50°C
Small size	63mm×47mm×40mm
Control range	-90°to +90°(Tilt) 150°to +150°(Pan) 45°to +45°(Roll)

- Support wide dynamic, dynamic range up to 105dB, good capture in both strong and low light condition
- 32GB SD card storage at 1080P
- Real-time quick focus function, focus time<1S
- Support flip vertical/flip horizontal/still image, AWB, auto gain control, auto color correction
- Super Low lux: colorful 0.05 lux @ F1.6, ensures clear details display shooting in low light



Ground Control Station

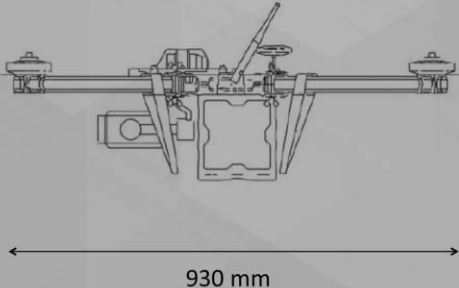
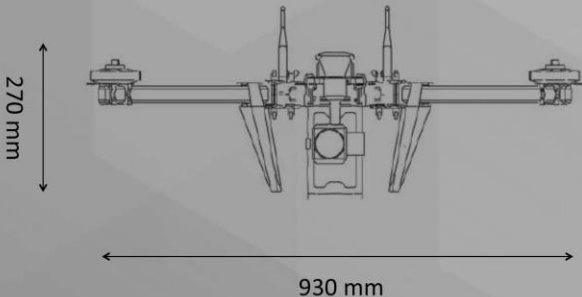
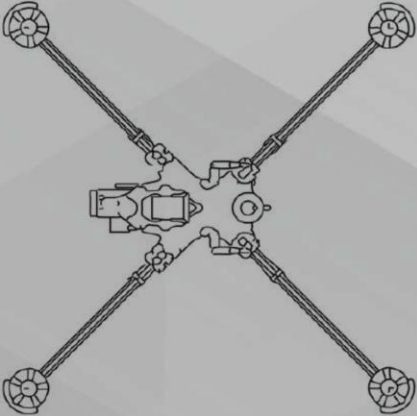
Remote Control System	Highly Integrated 3-in-1 Hand-held Ground Control System
Telemetry System	
Wireless Video Transmission	
Weight	< 2100g
Communication Frequency	2.4 GHz and Confidential Frequencies can be made
Range	10 ~ 30 Km (Clear of Interference, Non-Obstacle Condition)
Working Duration	4 Hrs
Screen Resolution	1280×800
Software Support OS	Linux, iOS, MacOS, Win10
Display screen	10" Industrial Touch Screen
CPU Processor	Intel Chipset
Memory	> 4GB
Storage	> 64 GB
Internet Support	Wifi + BT or 4G GSM (Options)
I/O	USB 3.0, Ethernet Port, HDMI, RS232, RS485, RS422, TTL
Operating temperature	-10~+60°C



Appearance and specifications are subject to change without notice for product improvement.

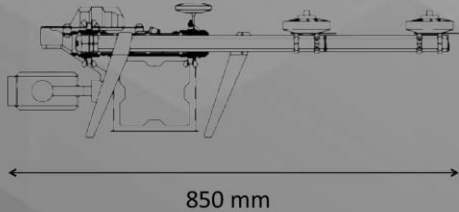
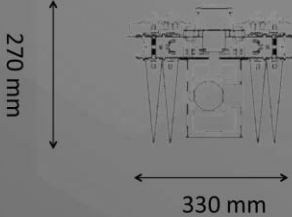
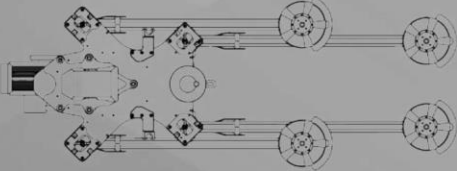
Unfolded Dimensions

(without propellers)



Folded Dimensions

(without propellers)



TW110 Night Vision Sight

Product Features

The device is designed for use with multiform rifles. Its compact and light weight offers good mobility for special operations. Accompanying with an IR aiming light allows rapid shooting in dark. It features build-in IR-on indicator to remind the users, and automatic highlight cutoff to protect image intensifier. A modularized design to offer two kinds of objective power. A helmet mounted or head strap for hand-free operation.



Specification parameters

Dimension	105 x 54 x 91.5 mm
Weight	456g
Magnification	1X
FOV	40 degrees
Focal range	25cm ~ infinity
Dioptric adjustment	+2~-5D
Eye relief	25 mm
Operation Temperature	-25°C ~ +45°C
Observation Range	300 meters
Battery Operation Life	20 hours
Selection Accessories	A helmet mounted or head strap for hand-free operation.





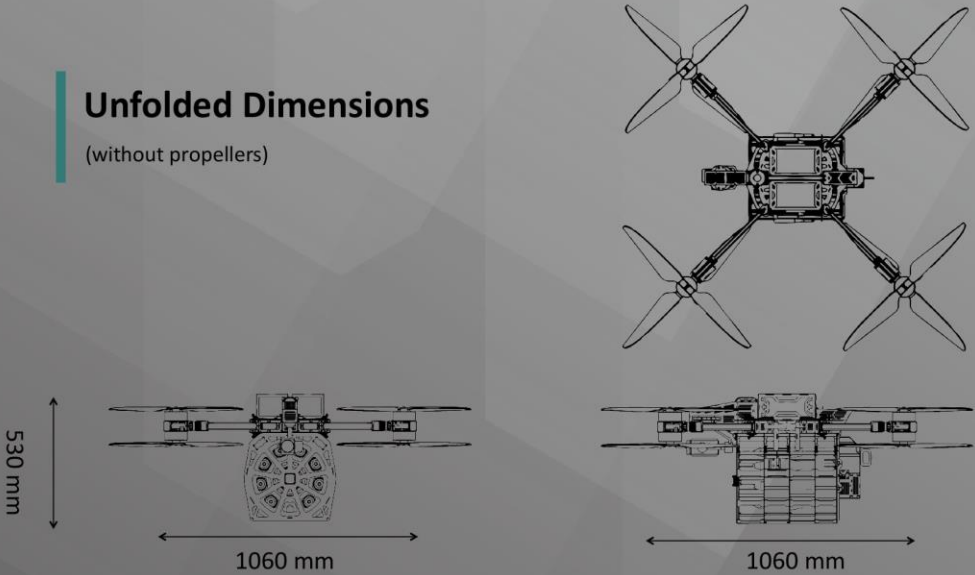
REVOLVER 860™

Product Features

The Revolver 860™ is a military combat rotor drone designed to attack hostile ground forces by dropping mortars. Its optimal weapons bay design provides up to eight sets of 60mm mortars, other caliber can be discussed for customize-on-demand build. The Revolver 860™ is ideal for special operation due to its heavy payload ability. it is fully customizable to fulfill different kinds of combat requirements.



Unfolded Dimensions (without propellers)



Appearance and specifications are subject to change without notice for product improvement.

Specifications

Total weight	42 kg (with 8 set of 60mm mortars)	Unfolded Dimensions	1060mm(L) x 1060mm(W) x 530mm(H)
Distributed as follows		Folded Dimensions	1420mm(L) x 385mm(W) x 530mm(H)
Drone weight	13.5 kg	Scale	1355 mm
Battery	5.5 kg *2	Flight range	20 KM
Revolver system	7 kg	Flight time	25 ~ 40 mins (with 8 set of 60mm mortars)
8 sets of 60mm mortars	10.5 kg	Overall thrust	140 kg
		Load voltage	48 V
		Aircraft frame	Folding design Multiple Composite Aviation Grade Material
		Propellers	30 Inch Foldable Carbon Fiber

Ground Control Station



Remote Control System
Telemetry System
Wireless Video Transmission

Highly Integrated 3-in-1 Hand-held GCS, Touch Screen Tablet, telemetry, uplink for way-points, Remote Control Signal, Digital Downlink for Real Time HD Video Transmission.

Weight	< 2100g
Way point supports	> 60,000 points
Range	10 ~ 30 Km (BVLOS)
Working Duration	6 Hrs
Screen Resolution	1280 X 800
Display screen	10" Industrial Touch Screen
I/O	USB3.0, 4G card slot, LAN port, audio port, amplifier port , HDMI, OTG
Operating temperature	-10 ~ +60°C



DronesVision

Product Features

DronesVision Inc. proudly presents SKYNET ADS, Anti-Drone System, from scratch-built to production in Taiwan. By its futuristic firearm shape and ergonomic design, it is easy to operate by an infantry or security guard. Within the effective range, SKYNET ADS can block hostile drones' video transmission and GPS signal, force targets to return, or land on the ground immediately. With SKYNET ADS's deployment, your airspace will be entirely secured.



A.I.
Enhanced

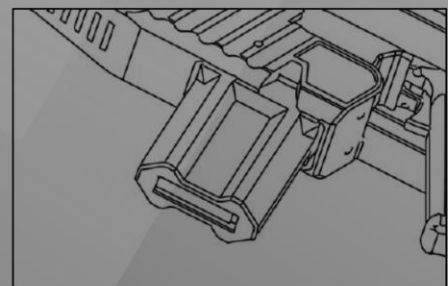
6 Kg

2 Km

Made in
Taiwan

Features

- World's first ever A.I. Enhanced Drone Jammer
- EU CE certification
- Operator Safety Certificate issued by NATO Member States (Report No. 6/ZAZE/K/2017)
- Dust-proof and waterproof grade IP43 certification (Report No. SC018655 of Metal Industry Research and Development Center)
- Battery : MSDS, UN38.3



SKYNET ADS use a magazine battery, it only takes 1 second to replace the battery

Appearance and specifications are subject to change without notice for product improvement

Specifications

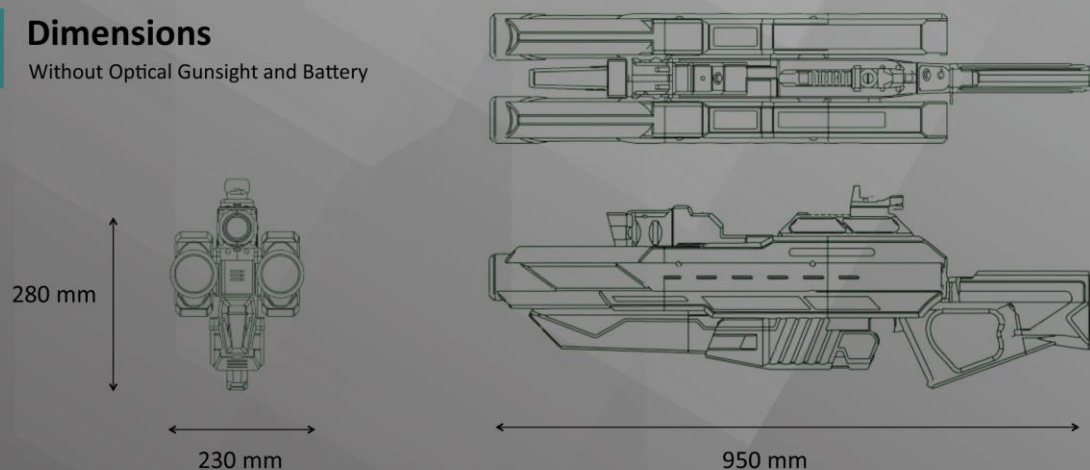
Product weight	6 kg
Operation time	40 ~ 90 mins (all channels on, depends on battery capacity)
Battery Weight	Standard 410 g, extended version 670 g
Battery Safety Certificates	MSDS, UN 38.3, BSMI
Standby time	8 hours
Frequency band	Channel 1 : 1.56 GHz - 1.63 GHz Channel 2 : 2.4 GHz - 2.53 GHz Channel 3 : 5.7 GHz - 5.91 GHz
R.F. output power	CH1 39 ± 2 dBm, 8W CH2 41 ± 2 dBm, 13W CH3 36 ± 2 dBm, 4W
Effective Range	Up to 2 km (clear of interference, unblocked condition)
Working temperature	-10°C ~ +60°C
Optical Gunsight	Quick aim optical red / green crosshair with various styles
Optional upgrades	E/O A.I. Detection 10 x Optical Sight Thermal imaging camera

Packing

Net Weight	6.5 kg
Gross Weight	20 kg
Dimension	106 X 30 X 47 cm

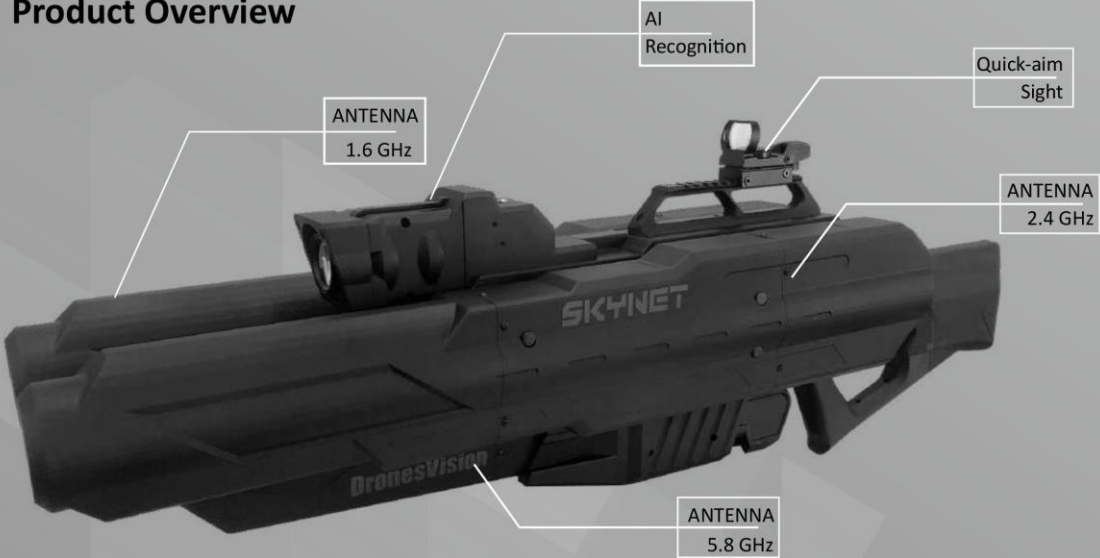
Dimensions

Without Optical Gunsight and Battery



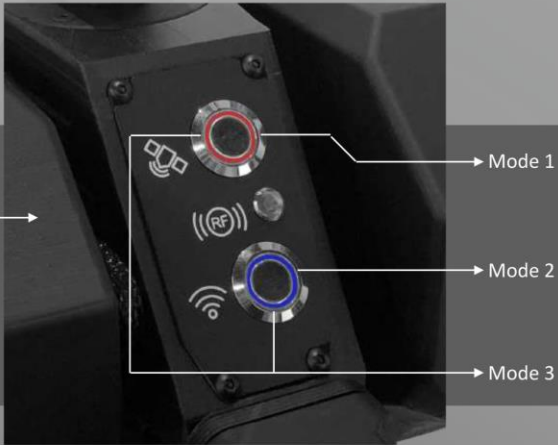
Appearance and specifications are subject to change without notice for product improvement

Product Overview



Self-explanatory User Interface Design

Easy to use, simple design, an operator can choose various combination by pressing down the button for mode select. Once the button is pressed and trigger is pulled, the button will light on as red or blue. It's also as an indicator to show you the system is actually working in which mode.



Mode 1

Block out satellite navigation systems
GPS, GNSS, Beidou, Galileo.

Mode 2

Block out 2.4 GHz + 5.8 GHz Video
transmission, Remote Control Signal,
Telemetry communications to force a
target return to its take-off point.

Mode 3

Block out satellite navigation systems
GPS, GNSS, Beidou, Galileo, RC Signal,
telemetry and video transmission to
force a target entering fail-safe mode
for forced landing.

Appearance and specifications are subject to
change without notice for product improvement

Artificial Intelligence Enhanced Module

The First-ever Neural Network Artificial Intelligence Enhanced for Drone Recognition and Aiming Assistant



When A.I. module detects drone in-sight, it will generate alarm sound to remind user that target is aimed and ready to engage.

The system will automatically hibernate / turn off itself within 3 minutes after boot up for maintaining the maximum work duration by saving energy consumption.

AI Module Button

LED and Speaker



Appearance and specifications are subject to change without notice for product improvement

Quick Aim / Sight MIL-1913

CR2032
Button Battery

Longitudinal
Crosshair Adjustment

Horizontal
Crosshair Adjustment



Color Selection with 5 levels
Brightness Adjustment

Crosshair
Select

Magazine Type Battery

For quick mount and dis-mount, it only takes a second to change battery.



Packaging

A tough case with carry handle and wheels, easy to transportation and protection.





DronesVision

Product Features

DronesVision Inc. proudly presents SKYNET ADS, Anti-Drone System, from scratch-built to production in Taiwan. By its futuristic firearm shape and ergonomic design, it is easy to operate by an infantry or security guard. Within the effective range, SKYNET ADS can block hostile drones' video transmission and GPS signal, force targets to return, or land on the ground immediately. With SKYNET ADS's deployment, your airspace will be entirely secured.



3
Channel

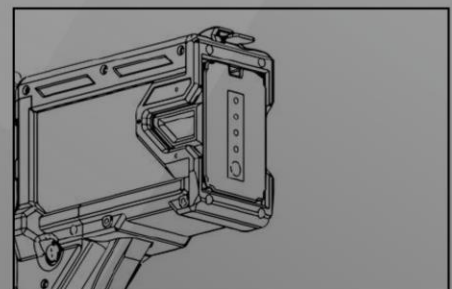
4 Kg

2 Km

Made in
Taiwan

Features

- EU CE certification
- Operator Safety Certificate issued by NATO Member States
(Report No. 6/ZAZE/K/2017)
- Battery : MSDS, UN38.3



SKYNET ADS use a magazine battery, it only takes 1 second to replace the battery

Appearance and specifications are subject to change without notice for product improvement

Specifications

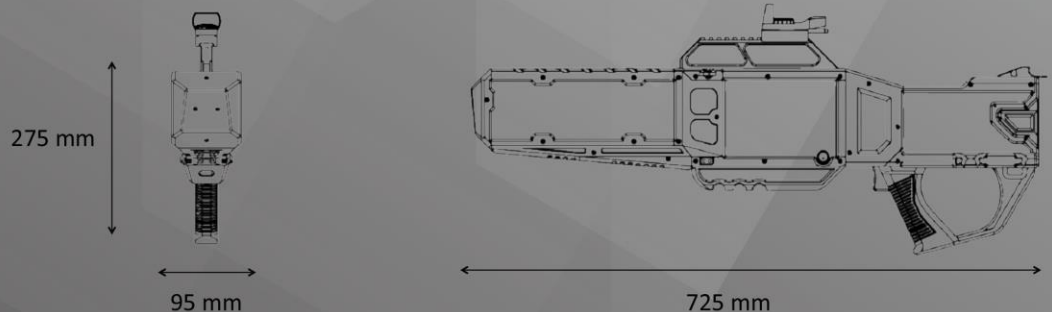
Product weight	4 kg
Operation time	90 mins (all channels on, depends on battery capacity)
Battery Weight	670 g
Battery Safety Certificates	MSDS, UN 38.3, BSMI
Standby time	8 hours
Frequency band	Channel 1 : 1.56 GHz - 1.63 GHz Channel 2 : 2.4 GHz - 2.53 GHz Channel 3 : 5.7 GHz - 5.91 GHz
Effective Range	Up to 2 km (clear of interference, unblocked condition)
Working temperature	-10°C ~ +60°C
Optical Gunsight	Quick aim optical red / green crosshair with various styles
Optional upgrades	E/O A.I. Detection 10 x Optical Sight Thermal imaging camera

Packing

Net Weight	5.2 kg
Gross Weight	11.6 kg
Dimension	92 X 43 X 17 cm

Dimensions

Without Optical Gunsight and Battery



Appearance and specifications are subject to change without notice for product improvement

Product Overview



Self-explanatory User Interface Design

Easy to use, simple design, an operator can choose various combination by pressing down the button for mode select. Once the button is pressed and trigger is pulled, the button will light on as red or blue. It's also as an indicator to show you the system is actually working in which mode.



Mode 1

Block out satellite navigation systems
GPS, GNSS, Beidou, Galileo.

Mode 2

Block out 2.4 GHz + 5.8 GHz Video
transmission, Remote Control Signal,
Telemetry communications to force a
target return to its take-off point.

Mode 3

Block out satellite navigation systems
GPS, GNSS, Beidou, Galileo, RC Signal,
telemetry and video transmission to
force a target entering fail-safe mode
for forced landing.

Appearance and specifications are subject to
change without notice for product improvement

Quick Aim / Sight MIL-1913

CR2032
Button Battery

Longitudinal
Crosshair Adjustment

Horizontal
Crosshair Adjustment



Color Selection with 5 levels
Brightness Adjustment

Crosshair
Select

Packaging

A tough case with carry handle and wheels, easy to transportation and protection.



SKYNET D2D

DronesVision

Product Features

SKYNET D2D (Drone-to-Drone) is the breaking concept of drone defense technology. SKYNET D2D is no longer a passive solution waiting for intruder to approach your sites and neutralize them. D2D technology allows you to force a target landing with BLOS range.



20 Mins

22.5 Kg

5 Km +

Made in
Taiwan

CERTIFICATION

- EU CE certification
- Operator Safety Certificate issued by NATO Member States (Report No. 6/ZAZE/K/2017)

- Lightweight
- Video transmission blockage
- GPS Positioning blockage
- Control signal blockage
- Effective range: 500 M+

Appearance and specifications are subject to change without notice for product improvement.

Specification

Product weight	22.5 Kg
Flight time	20 Mins
Flight range	5 Km+
Frequency band	Channel 1 : 1.56 GHz - 1.63 GHz Channel 2 : 2.40 GHz - 2.53 GHz Channel 3 : 5.70 GHz - 5.91 GHz
Jamming Effective Range	500 M+ (clear of interference, unblocked condition)
Remote Control Frequency (Classified)	
Telemetry Frequency (Classified)	
Real Time Live Video Transmission (Classified)	

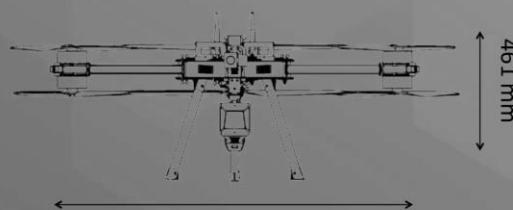
Ground Control Station

Range	10 ~ 15 Km
Screen Resolution	1280 × 800
Operating temperature	-10 ~ +60°C
Display screen	10 inch Industrial touch screen +800 cd/ sunlight visible screen
Operating hours	3 hrs with full capacity



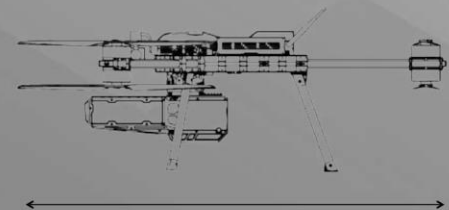
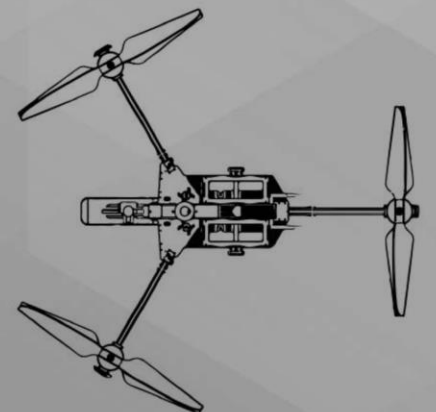
Unfolded Dimensions

(without propellers)



1180 mm

461 mm



1200 mm

ULTRA SKYNET

DronesVision

Product Features

DronesVision Inc. proudly presents SKYNET ULTRA, Anti-Drone System, from scratch-built to production in Taiwan. By its futuristic firearm shape and ergonomic design, it is easy to operate by an infantry or security guard. Within the effective range, SKYNET ULTRA can block hostile drones' video transmission and GPS signal, force targets to return, or land on the ground immediately. With SKYNET ULTRA's deployment, your airspace will be entirely secured.

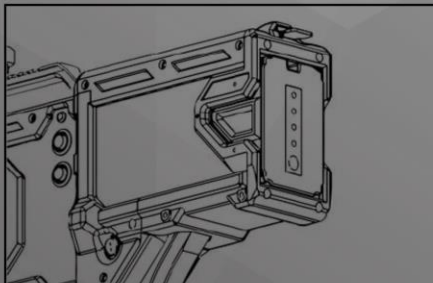


6
Channel

5.5 Kg

2 Km

Made in
Taiwan



- ▶ SKYNET ULTRA use a magazine battery, it only takes 1 second to replace the battery.

Appearance and specifications are subject to change without notice for product improvement

Specifications

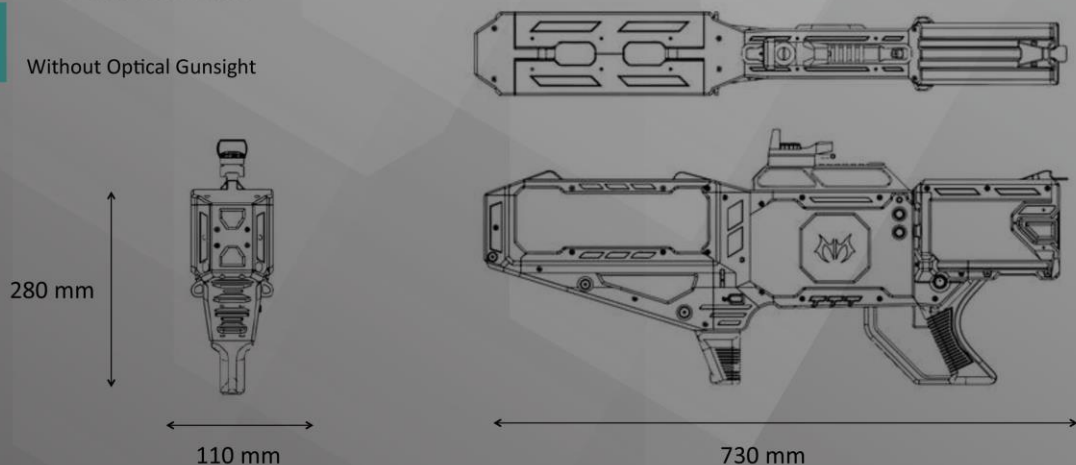
Product weight	5.5 kg
Operation time	90 mins (all channels on)
Battery Capacity	4200 mAh 123.5 wH
Battery Weight	670 g
Battery Safety Certificates	MSDS, UN 38.3, BSMI
Standby time	8 hours
Frequency band / EIRP / R.F. output power	Channel 1 : 1165~1381MHz / 37±1dBm / 5W / 7dBi Channel 2 : 1550~1620MHz / 37±1dBm / 5W / 7dBi Channel 3 : 400~460MHz / 41±1dBm / 12.5W / 3dBi Channel 4 : 860~930MHz / 39±1dBm / 8W / 4.5dBi Channel 5 : 2400~2500MHz / 40±1dBm / 10W / 9dBi Channel 6 : 5725~5875MHz / 39±1dBm / 8W / 11dBi
Effective Range	Up to 1 km (clear of interference, unblocked condition)
Working temperature	-10°C ~ +60°C
Optical Gunsight	Quick aim optical red / green crosshair with various styles

Packing

Net Weight	6 kg
Gross Weight	13.9 kg
Dimension	102 X 43 X 17 cm

Dimensions

Without Optical Gunsight



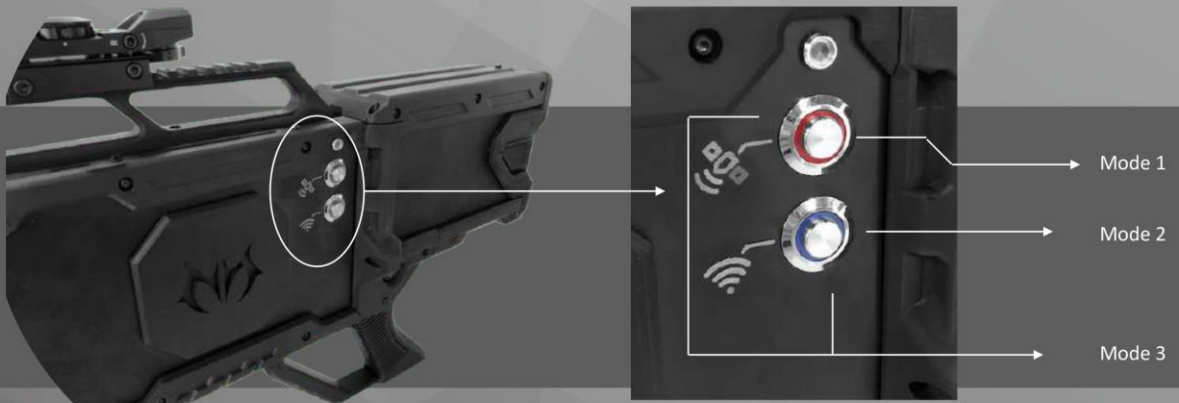
Appearance and specifications are subject to change without notice for product improvement

Product Overview



Self-explanatory User Interface Design

Easy to use, simple design, an operator can choose various combination by pressing down the button for mode select. Once the button is pressed and trigger is pulled, the button will light on as red or blue. It's also as an indicator to show you the system is actually working in which mode.



Mode 1

Block out satellite navigation systems
GPS, GNSS, Beidou, Galileo.

Mode 2

Block out 2.4 GHz + 5.8 GHz Video
transmission, Remote Control Signal,
Telemetry communications to force a
target return to its take-off point.

Mode 3

Block out satellite navigation systems
GPS, GNSS, Beidou, Galileo, RC Signal,
telemetry and video transmission to
force a target entering fail-safe mode
for forced landing.

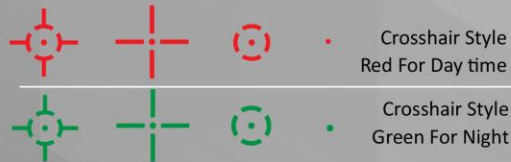
Appearance and specifications are subject to
change without notice for product improvement

Quick Aim / Sight MIL-1913

CR2032
Button Battery

Longitudinal
Crosshair Adjustment

Horizontal
Crosshair Adjustment



Color Selection with 5 levels
Brightness Adjustment

Crosshair
Select

Magazine Type Battery

For quick mount and dis-mount, it only takes a second to change battery.



Packaging

A tough case with carry handle and wheels, easy to transportation and protection.

